
Microblaster LAB 100122



User manual

1. Introduction

Microblaster Lab is a portable pneumatic device, easy to install and operate, designed to Surface blasting , mainly in dental works.

The use of Microblaster in dentist's offices and dental laboratories has more and more been requested for being practical, ergonomic and accurate in small jobs and/or where the area to be blasted has a slight contact with areas of preservation from blasting.

Microblaster Lab is provided with an ejecting needle made of sintered carbide, which assures higher durability and accuracy during blasting.

It has one fixed nozzle mounted at a 138° angle.



Attention! Before operating the equipment, read carefully all instructions contained in this manual.

2. Technical specifications

Weight without package:65 g
Weight with package:265 g
Package dimension (LxWxH):195 x 110 x 45 mm
Work pressure: 60 a 80 lbf/pul² (4~5,5 kgf/cm²)
Granulation of the supported aluminum oxide: hasta 100 micrones

3. Package content

When opening the package, check for the presence of the following items inside, according to the specified model

- 01 Microblaster with fixed nozzle and ejecting needle at 138°;
- 01 Quick coupling;
- 01 Handpiece connector;
- 01 A tank with 40 g aluminum oxide 50 microns;
- 01 Instruction manual;
- 01 Adaptor for Ø 6 mm tube.

4. Main characteristics of the model:

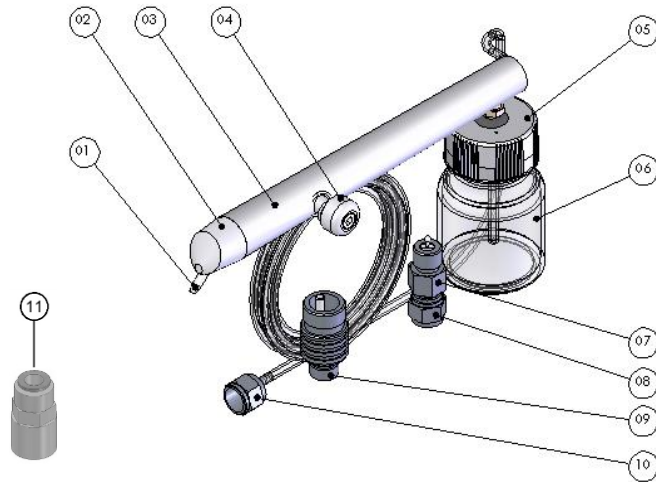
Fixed nozzle with ejecting needle at 138°
No autoclavable nozzle
Use of aluminum oxide with granulation up to 100 microns
No possibility for intraoral use
Exclusive use in laboratories

5. Main items of the product:

- 01- Ejecting needle
- 02- Fixed nozzle 138°
- 03- Microblaster body
- 04- Switch button
- 05- Lid of the tank for abrasive
- 06- Tank for abrasive

07- Quick coupling for compressor (Ø 8 mm)
 08- Engaging nut for fixation of the PU hose
 09- Connector for equipment

10- Nut with spigot
 11- Adaptor for Ø 6 mm tube



6. Installation instructions

Microblaster Lab shall be installed by means of a nut with a spigot (10) in a pure and dry compressed air network.

For the equipment and the user's safety, and for better performance during the blasting works, make sure the compressed air pressure is kept stable at **60 to 80 lbf/inch² (4~5.5 kgf/cm²)**.

Junto con el producto se suministran las conexiones (07, 08 y 09) con el fin de facilitar su conexión durante la instalación, que puede estar conectado a una red estándar de aire comprimido o a la terminal de baja rotación del equipo, según lo descrito en las ilustraciones a continuación:

The connections (07, 08 and 09) are supplied together with the product, aiming to facilitate their connection during installation, considering that it can be connected to a standard compressed air network or to the equipment low rotation terminal, as described in the illustration below:

Connection to compressor tube (Ø 8):

Connection to compressor tube (Ø 6):

Connection to equipment, Midwest adaptor (the tub must be cut):

After the microblaster installation has been finished, correctly follow the use instructions and the other information about precautions and safety, described below.

7. User instructions

1- Remove the switch button clamp (04).



When removing the switch button clamp (04), try using it immediately afterwards and always after using Microblaster, return the respective clamp to the button (04) thus keeping it always pressed. The act of keeping the button clamp released for long periods might generate adherence of the internal driving tube walls, which might make the oxide passage difficult.

Note: Nozzle (02) used in the Microblaster models allows rotation up to 180°, facilitating the performance of very different kinds of works.

2- Abastezca el depósito (06) con, máximo ¾, de su capacidad con el óxido de aluminio y fijarlo en la tapa del depósito de abrasivo (5) ubicado en la extremidad del cuerpo del Microarenador.



Use only abrasives of the type aluminum oxide and with granulations in the range up to 100 microns.

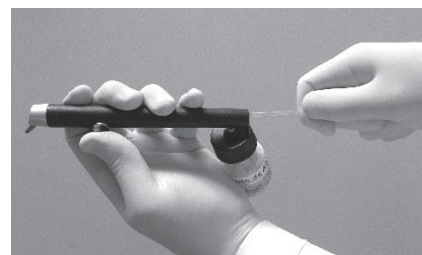
Note: Mestra commercializes the perfect aluminum oxide for consumption and refill to be used with Microblaster.

3- With the tank duly filled in and introduced in Microblaster, press the switch button (04) to start the blasting process.

Remark:

If the blasting is interrupted for any reason even with the switch button (04) pressed and the tank (06) filled in with abrasive, follow the steps below:

- keep the switch button (04) pressed;
- with the other hand, hold the hose firmly in the region close to the end of the microblaster body, pulling slightly and releasing immediately afterwards;
- repeat this procedure until the air passage is free.



4- Always try to keep a distance from 5 to 10 mm between the face of the Microblaster needle tip (01) and the surface to be worked during blasting.

Important note:

- In order to obtain better results during the blasting works, make small fast and constant movements throughout the whole surface to be blasted.
- Some recommendations for the aluminum oxide granulation, indicated for some application examples are presented below. It is upon the professional's discretion to choose the best applicable granulation, provided that it is supported by Microblaster (up to 100 microns).

APLICACIONES	GRANULATION
Micro-retentions (surface roughness)	50 microns
Bracket recycling (cleaning)	90 microns
Removal of cement from metal crowns, resins, ceramics and other materials	90 microns
Cleaning of cast parts	90 microns
Removal of oxidation	90 microns



Microblaster LAB equipment exclusively designed to produce a abrasion function blast, without prophylaxis function, i.e., there is no any similarity with sodium bicarbonate blasting equipment.

8. Maintenance and cleaning

- Before disconnecting Microblaster from the compressed air network or the equipment, remove the tank for abrasive (06) and then place your finger on the tip of the ejecting needle (01) closing the needle orifice, and simultaneously press the switch button (04) for approximately three seconds for the internal hose to totally empty the abrasive that might still be in the system. This process is called "Retro-blasting".



The "Retro-blasting" procedure shall not be executed for more than five seconds, which might cause breakage of the tank for abrasive (06).

- For the Microblaster cleaning and disinfection, use only a cloth dampened with water or alcohol 70%.



Microblaster Lab shall never be sprayed with liquids; be submerged or sterilized in an oven or an autoclave.

- Keep the compressed air network always free of moisture and oil, always observing the efficiency of your compressor's coalescent filters.

9. Safety precautions

Intraoral use:



Due to the constructive features of the Microblaster Lab model, its use shall be restricted to laboratories, thus it is not indicated for intraoral procedures.



the responsible professional are fully responsible for the product use, regarding the safety items, the environment, the operator's and the patient's personal protection, indications and contra-indications and side effects.

Manufacturer denies any responsibility for any damage caused by undue use of Microblaster and in cases where the safety items described in this document have not been complied with.

Uso general y de laboratorio:

Es obligatorio el uso de equipos de protección individual (EPI's) cuando se utiliza el Microarenador Lab. Use gafas de protección, guantes y máscara respiratoria cuando opere el equipo.

Además de estos EPI's y para los casos en que el trabajo ofrece tales condiciones, recomendamos el uso de la cámara de succión.

General and laboratory use:

The Use of personal protective equipment (PPE's) when working with Microblaster Lab is compulsory. Use protection goggles, gloves and breathing mask when operating the equipment.

In addition to these EPI's and for cases when the work offers such conditions, we recommend the use of a suction chamber.



Work chamber (ref. 080216):

The chamber (not included), is a complementary product for use with microblaster. Manufactured by Mestra with the purpose not to allow the excess of aluminum oxide and the impurities generated in the blasting process to be launched to the environment.

The chamber provides a better visibility and higher cleaning, speed, efficiency, safety and practicality in the blasting processes.

10. Warnings

- Never point the ejecting needle (01) to any part of the body during the blasting process.
- Use only abrasive of the type aluminum oxide.
- The aluminum oxide used in Microblaster might cause skin, eye and respiratory tract irritation. Never use Microblaster without personal protective equipment (PPE).
- Never use aluminum oxide with traces of moisture or contaminants.
- Never use aluminum oxide with granulation out of the manufacturer's specification (up to 100 Microns).

11. Special storage conditions

Microblaster Lab shall be stored under the following conditions:

- With the clamp installed on the switch button (04), keeping it always pressed.
- Always disconnected from the compressed air network and/or the equipment;
- In a cool, dry and free of dust place;
- Far from chemical products and protected from sources of heat and sun light;
- Preferably in its original packaging.

12. Problems y solutions

Problem	Cause	Solution
Air and/or abrasive flow missing, or insufficient at the ejecting needle (01) ***.	Incorrect connection of microblaster to the compressed air network.	See item 6 of this user manual and install microblaster correctly.
	Insufficient or instable compressed air network pressure.	See item 6 of this user manual and monitor the correct pressure, (60 to 80 lbf/inch ² (4~5,5 kgf/cm ²)).
	Throttling of the driving hose by the button lever.	See item 7, part 4 of this user manual.
	Insufficient quantity of abrasive (aluminum oxide) in the tank (06).	Fill the tank (06) in with aluminum oxide at maximum of 3/4 of its capacity.
Clogging ***.	Presence of moisture in the compressed air system.	La red de aire comprimido debe ser seca. Verifique la eficiencia de los filtros coalescentes y la presencia de humedad.
	Presence of moisture in the abrasive.	El abrasivo debe estar libre de humedad, en días húmedo es necesario el secado previo en estufa u olla abierta a 250 °C por 30 minutos.
	Incorrect granulation, out of specification in the user manual.	Utilizar sólo abrasivo del tipo óxido de aluminio de hasta 100 micrones, preferentemente suministrado por el fabricante.
	Reuse of abrasives containing residues ("recycling" attempt).	El excedente de óxido de aluminio utilizado en el chorreado debe ser eliminado.
Air leaking on the microblaster body.	Internal driving hose damaged.	Contact the authorized technical assistance service.
Air leaking through the ejecting nozzle needle.	Displacement of the driving lever internal hose.	Contact the authorized technical assistance service.

***In case of clogging in the Microblaster internal pipeline, a simple "Retroblasting" procedure might solve the problem. For this purpose, see the information described in item 8. Maintenance and cleaning of this user manual.

14. Term of warranty and authorized technical assistance

Manufacturer grants a six-month warranty for this product, starting from the date of its acquisition. This warranty covers all and any manufacturing defect, being provided through repair of the equipment, and subjected to the following requirements:

- That the product has been used correctly in accordance with the instructions described in the user manual;
- The claim is accompanied by the purchase invoice and registered within the warranty period, followed by a report with description of the defect and the product serial number;
- The product is handled, transported and stored with care;
- The transport cost (round trip) is paid by the customer;

Warranty limitations:

- Natural wear of parts;
- Misuse, falls or accidents;
- Inadequate transport;
- Repair by non-authorized personnel;
- Use in disagreement with the device features and purposes;
- Wear due to exposure to adverse conditions (humidity, cold and intense heat);
- Damage due to lack of cleaning or maintenance with inappropriate products;

In case of doubts, contact the manufacturer.

15. Authorized technical assistance

For your safety, technical assistance on this product shall only be provided by authorized personnel/companies.