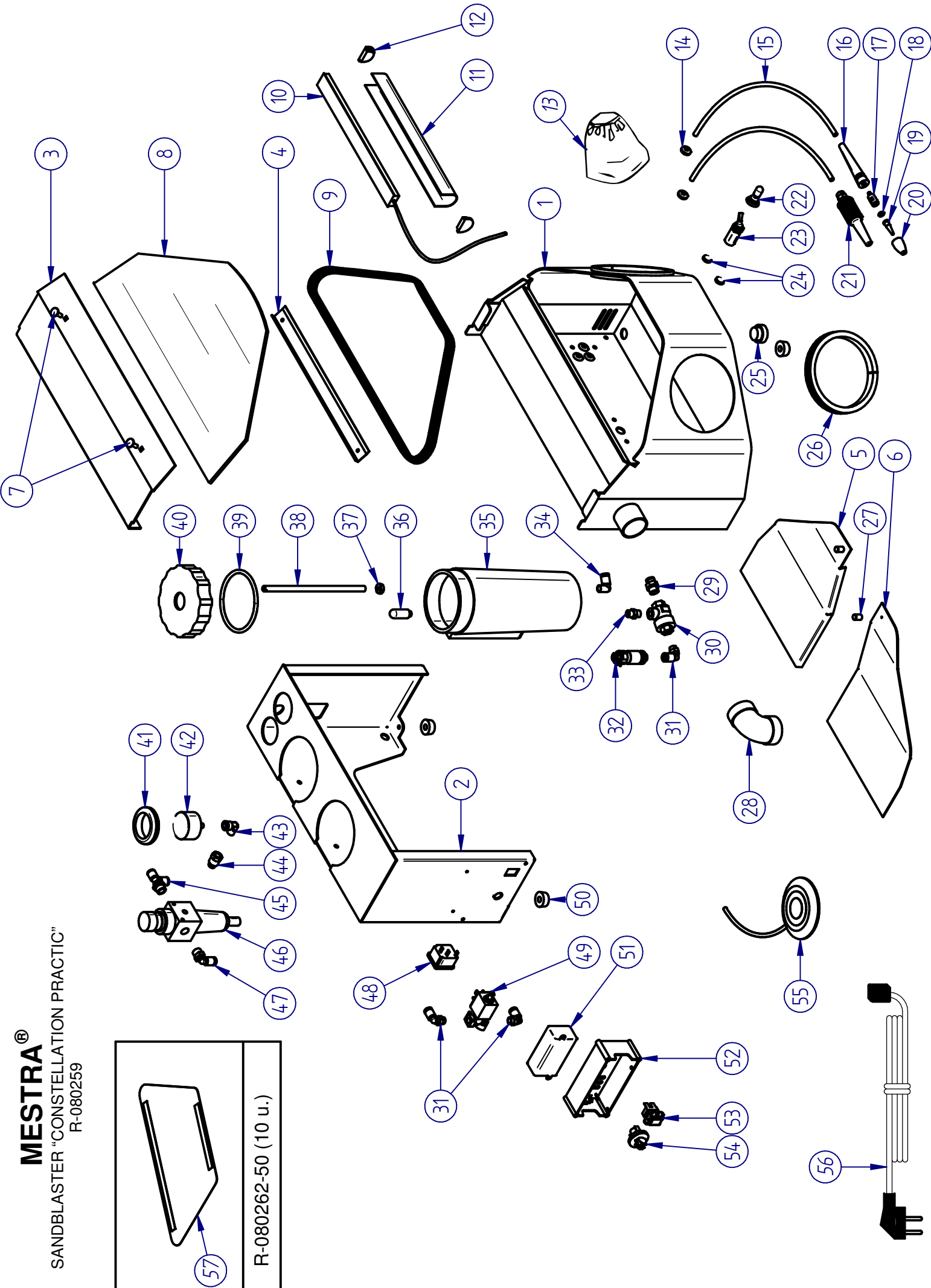
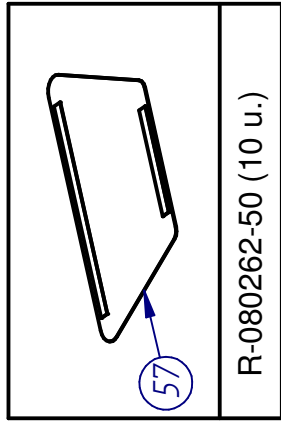


MESTRA®

SANDBLASTER "CONSTELLATION PRACTIC"

R-080259



MESTRA®
SANDBLASTER "CONSTELLATION PRACTIC"
R-080259

| Nº | Ref. | DESCRIPCIÓN | DESCRIPTION |
|----|-----------|-----------------------------|---------------------------------|
| 1 | 080259-19 | Carcasa delantera | Front housing |
| 2 | 080259-03 | Carcasa tasera | Rear housing |
| 3 | 080259-05 | Marco para el cristal | Glass frame |
| 4 | 080259-04 | Soporte cristal | Glass support |
| 5 | 200262-06 | Bandeja derecha | Right tray |
| 6 | 200262-07 | Bandeja izquierda | Left tray |
| 7 | 080259-16 | Tornillo cristal | Glass bolt |
| 8 | 080262-02 | Cristal | Glass |
| 9 | 080262-03 | Burlete cristal | Rubber strip |
| 10 | 080235-60 | Tira de LED | LED bar |
| 11 | 080235-62 | Cubierta LED | LED shield |
| 12 | 080235-63 | Tapas LED | LED lids |
| 13 | 080242-28 | Manguito | Wool sleeve |
| 14 | 080010-05 | Pasa cables | Cable bushing |
| 15 | 000101 | Tubo Ø4x6 | Ø4x6 tube |
| 16 | 080262-31 | Cuerpo lapicero | Gun body |
| 17 | 080262-32 | Pieza intermedia lapicero | Gun intermediate part |
| 18 | 080262-28 | Junta tórica | O-ring |
| 19 | 080240-15 | Boquilla 0,75 mm 50 micras | 0,75 mm 50 micron nozzle |
| | 080240-12 | Boquilla 1,00 mm 150 micras | 1,00 mm 150 micron nozzle |
| | 080240-13 | Boquilla 1,25 mm 250 micras | 1,25 mm 250 micron nozzle |
| 20 | 080262-33 | Punta de lapicero rojo | Gun point (red) |
| | 080262-38 | Punta de lapicero azul | Gun point (blue) |
| 21 | 050221 | Soplador | Blower |
| 22 | 080259-15 | Capuchón válvula selectora | Selector valve cap |
| 23 | 080259-07 | Válvula selectora | Selector valve |
| 24 | 080259-08 | Taco identificación - Rojo | Identification button - Red |
| | 080259-09 | Taco identificación - Azul | Identification button - Azul |
| 25 | 080270-33 | Tapón vaciado | Drain plug |
| 26 | 080270-30 | Brida | Flange |
| 27 | 000336 | Racor recto metálico Ø6 1/8 | 1/8 straight Ø6 metal connector |

| Nº | Ref. | DESCRIPCIÓN | DESCRIPTION |
|----|-----------|-------------------------------|---------------------------------|
| 28 | 080242-25 | Codo de plástico | Plastic elbow |
| 29 | 000336 | Racor recto metálico Ø6 1/8 | Metal straight fitting Ø6 1/8 |
| 30 | 080242-35 | Escape rápido | Quick scape |
| 31 | 000312 | Racor codo plástico Ø6 1/8 | 1/8 elbow Ø6 plastic connector |
| 32 | 080259-12 | Filtro en línea | Line filter |
| 33 | 080262-15 | Racor alargador escape rápido | Quick scape extension fitting |
| 34 | 000324 | Racor codo metálico Ø6 1/8 | 1/8 elbow Ø6 metallic connector |
| 35 | 080262-14 | Tanque | Tank |
| 36 | 080262-13 | Filtro de tanque | Tank filter |
| 37 | 080510-86 | Tuerca tubo tanque | Tank pipe nut |
| 38 | 080262-12 | Tubo de módulo | Module pipe |
| 39 | 080520-24 | Junta tórica módulo | Module O-ring |
| 40 | 080262-24 | Tapa para módulo | Module lid |
| 41 | 080259-14 | Pasamuros manómetro | Manometer bushing |
| 42 | 080242-11 | Manómetro | Manometer |
| 43 | 080561-22 | Racor codo manómetro | Manometer elbow fitting |
| 44 | 080280-27 | Racor alargador manómetro | Manometer extension fitting |
| 45 | 080259-22 | Racor doble T | Double T fitting |
| 46 | 080240-14 | Manorreductor | Pressure control |
| 47 | 000310 | Racor codo plástico Ø6 1/4 | 1/4 elbow Ø6 plastic connector |
| 48 | 080490-06 | Base de conexión | Connection base |
| 49 | 080259-10 | Electroválvula 12V | Electrovalve 12V |
| 50 | 080490-31 | Pata | Leg |
| 51 | 080093-53 | Fuente de alimentación 12V | Power source 12V |
| 52 | 080093-45 | Cubierta cables | Cable cover |
| 53 | 080422-17 | Interruptor iluminado | Switch |
| 54 | 080262-11 | Interruptor de pedal | Pedal switch |
| 55 | 080242-33 | Pedal | Pedal |
| 56 | 000250 | Cable 230V | Cable 230V |
| | 000252 | Cable 115V | Cable 115V |
| 56 | 080262-50 | Protector cristal (10 U.) | Glass protector (10 U.) |