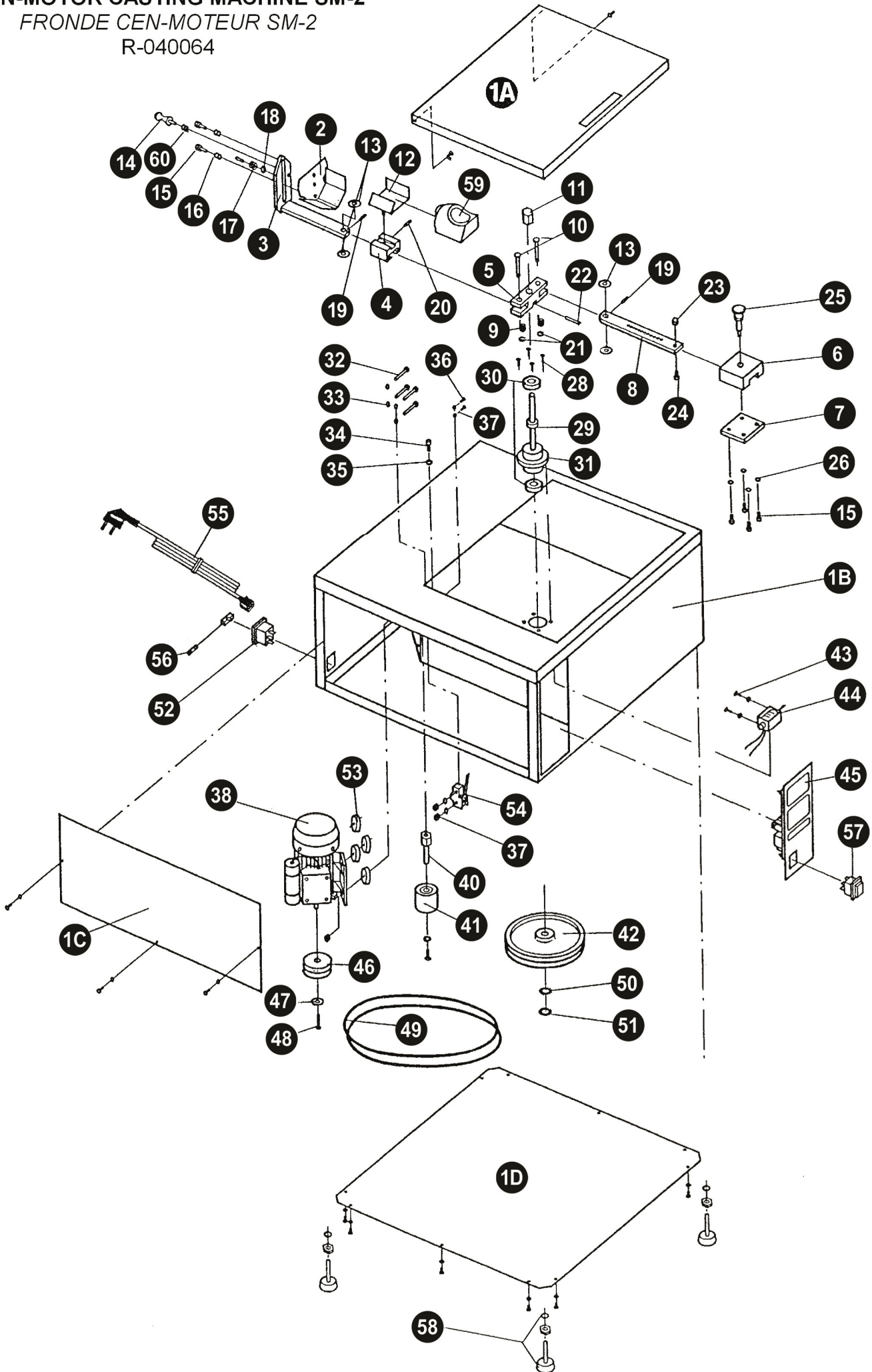


MESTRA®

CENTRÍFUGA CEN-MOTOR SM-2
CEN-MOTOR CASTING MACHINE SM-2
FRONDE CEN-MOTEUR SM-2
R-040064



MESTRA®
CENTRÍFUGA CEN-MOTOR SM-2
CEN-MOTOR CASTING MACHINE SM-2
FRONDE CEN-MOTEUR SM-2
Ref. 040064

| Nº | Referencia | Descripción | Description |
|----|------------|------------------------------|-------------------------|
| 1A | 040064-53 | Tapa superior | Upper lid |
| 1B | 040064-54 | Cuerpo de la carcasa | Housing body |
| 1C | 040064-55 | Tapa lateral de carcasa | Side lid |
| 1D | 040064-56 | Base inferior de carcasa | Lower base |
| 2 | 040064-02 | Porta cilindros | Cylinder holder |
| 3 | 040064-03 | Escuadra brazo | Arm square |
| 4 | 040064-04 | Carro brazo | Arm slide |
| 5 | 040064-05 | Acoplador | Coupler |
| 6 | 040064-06 | Contrapeso brazo | Counterweight |
| 7 | 040064-07 | Tapa contrapeso | Counterweight lid |
| 8 | 040064-08 | Pletina contrapeso | Counterweight sheet |
| 9 | 040064-09 | Muelle brazo | Arm springs |
| 10 | 040064-10 | Bulones brazo | Arm pins |
| 11 | 040064-11 | Tuerca brazo | Arm nut |
| 12 | 040064-12 | Porta crisoles brazo | Arm crucible older |
| 13 | 040064-13 | Arandela de latón brazo | Brass arm washer |
| 14 | 040064-14 | Tirador brazo | Arm knob |
| 15 | 080280-25 | Tornillo Allen | Allen screws |
| 16 | 040064-67 | Casquillo escuadra | Arm bushing |
| 17 | 040064-17 | Espárrago posicionador brazo | Arm positioner |
| 18 | 040064-18 | Tuerca bloqueo posicionador | Arm positioner lock nut |
| 19 | 080515-13 | Espárrago pletinas | Arm stud |
| 20 | 040064-20 | Espárrago carro brazo | Arm slide stud |
| 21 | 030090-05 | Arandela elástica brazo | Arm spring washers |
| 22 | 040064-22 | Pasador del eje | Shaft pin |
| 23 | 080460-14 | Tuerca pletina contrapeso | Stop nut |
| 24 | 010070-03 | Tornillo pletina contrapeso | Arm stop crew |
| 25 | 040064-25 | Pomo de contrapeso | Counterweight knob |
| 26 | 080102-23 | Arandela contrapeso | Counterweight washers |
| 28 | 040064-28 | Tornillos porta ejes | Shaft holder screw |
| 29 | 040064-29 | Eje | Shaft |
| 30 | 040064-30 | Rodamiento de eje | Shaft bearing |
| 31 | 040064-31 | Porta ejes | Shaft holder |

| Nº | Referencia | Descripción | Description |
|----|------------|---------------------------------|-----------------------------------|
| 32 | 040064-32 | Tornillo sujeción motor | Motor clamping screws |
| 33 | 040064-33 | Tuercas sujeción motor | Motor clamping nuts |
| 34 | 040064-34 | Tornillo tensor | Tensioner screw |
| 35 | 040064-62 | Arandela tensor | Tensioner washer |
| 36 | 040064-36 | Tornillo microinterruptor | Microswitch screw |
| 37 | 050310-14 | Tuerca microinterruptor | Microswitch nut |
| 38 | 040064-38 | Motor 230V | Motor 230V |
| | 040064-38B | Motor 115V | Motor 115V |
| 40 | 040064-40 | Eje tensor | Tensioner shaft |
| 41 | 040064-41 | Tensor nylon | Nylon tensioner |
| 42 | 040064-42 | Polea grande | Large pulley |
| 43 | 040064-43 | Tornillo bobina bloqueo | Lock coil screw |
| 44 | 040064-44 | Bobina de bloqueo | Lock coil |
| 45 | 040064-45 | Control 230V | Control 230V |
| | 040064-45B | Control 115V | Control 115V |
| 46 | 040064-46 | Polea pequeña | Small pulley |
| 47 | 080142-07 | Arandela polea pequeña | Small pulley washer |
| 48 | 040064-48 | Tornillo polea pequeña | Small pulley screw |
| 49 | 040064-49 | Correa | Pulley belt |
| 50 | 040064-50 | Arandela polea grande | Large pulley washer |
| 51 | 040064-51 | Tuerca polea grande | Large pulley nut |
| 52 | 080490-06 | Base porta fusibles | Fuse holder base |
| 53 | 080080-26 | Separadores de goma | Rubber separators |
| 54 | 040060-60 | Microinterruptor | Microswitch |
| 55 | 000250 | Cable 230V | Cable 230V |
| | 000252 | Cable 115V | Cable 115V |
| 56 | 000231 | Fusible 4A | Fuse 4A |
| | 000234 | Fusible 8A | Fuse 8A |
| 57 | 080400-07 | Interruptor | Switch |
| 58 | 040060-77 | Patas | Legs |
| 59 | 040540 | Crisol Degussa SiO ₂ | Degussa SiO ₂ crucible |
| 60 | 040064-14 | Casquillo brazo | Arm bushing |